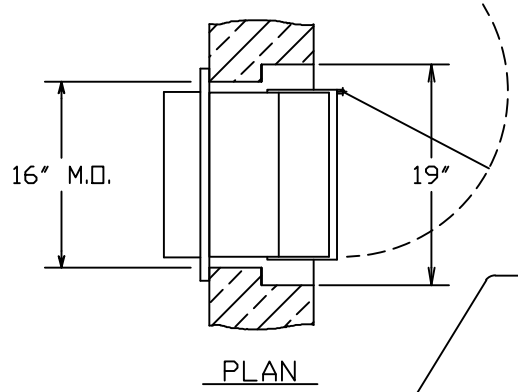
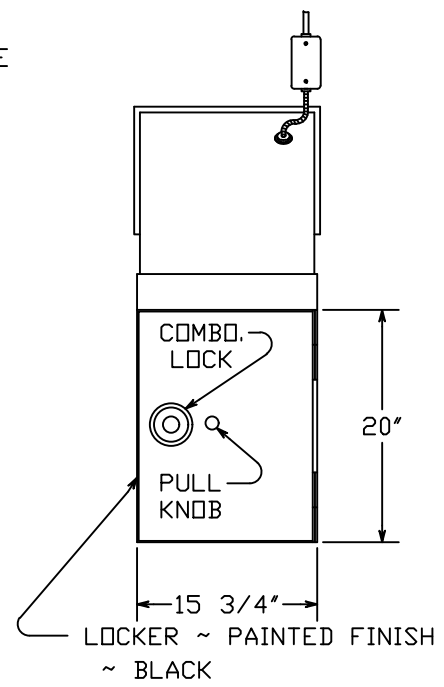
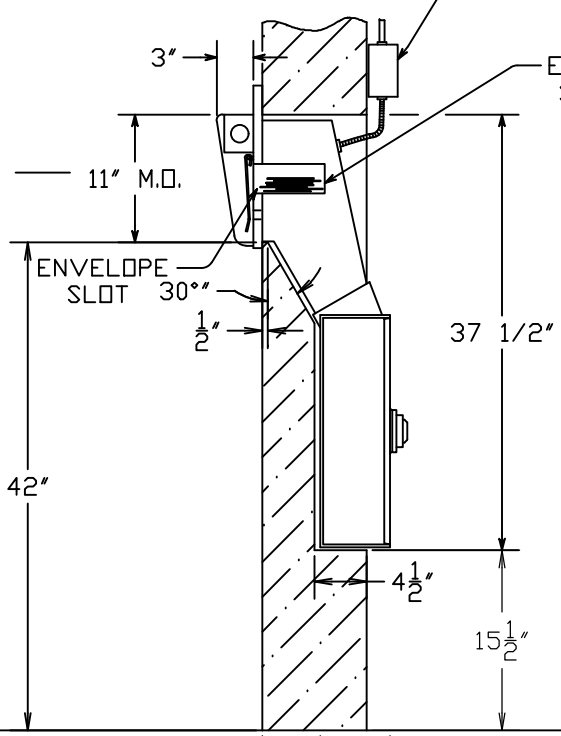
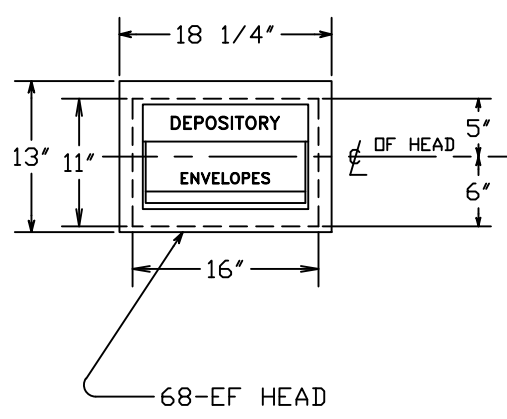


Rev - 1	09-16-11 UPDATED FOR A.D.A.
Rev - 2	9-7-18 COLOR: BLACK



PROVIDE 120V ~ 60 HZ ~  
15 AMP ELECTRICAL SERVICE  
FOR FLUORESCENT LIGHT  
FIXTURE (COWL LIGHT).



EXTERIOR

INTERIOR

WALL THK.  
SECTION

<b>HAMILTON SAFE</b>	
ENVELOPE DEPOSITORY MODEL 68-LD (68EF HEAD W/RECEIVING LOCKER)	
Drawing Number : 92-561	Date : 4-6-92